

Stowaway Compact Series Boat Air Conditioning

High-Capacity Air Conditioning In a Compact Package



The 27,000 BTU/hr Compact unit with painted galvanized metal chassis

The Stowaway Compact series of self-contained marine air conditioners offers 18,000 and 27,000, and 30,000 BTU/hr of reverse-cycle cooling and heating.

These high-capacity units were engineered to harness and maximize the impressive performance of environmentally safe R-410A refrigerant. Used in the HVAC industry for more than 10 years, R-410A is proven and reliable, complies with all EPA standards, and is accepted worldwide.

All models offer direct expansion operation in a compact, low-profile unit, with a seawater-cooled condenser and choice of controls. Stowaway Compact units are designed for installation under a settee or berth, in a locker or cabinet, or other convenient location.

Stowaway Compact systems feature high-velocity (HV) blowers. All blowers are insulated to prevent secondary condensation, and are fully rotatable for flexibility during installation. A painted galvanized metal chassis is standard on 18K and 27K models; a stainless-steel chassis upgrade is available for enhanced durability.

The SQUF30 features dual evaporator coils and a single compressor on a compact stainless-steel chassis. The dual high-velocity (HV) blowers can be ducted to two or more interior spaces.



The dual-blower 30,000 BTU/hr unit with stainless-steel chassis.

Key Benefits

- Compact design reduces unit size by up to 25% of the original Vector Rotary's size
- High-velocity (HV) fully-insulated blowers are rotatable
- Blowers are rotatable and fully insulated
- Patented design increases cooling capacity and dehumidification
- Engineered to maximize the performance of R-410A, an environmentally safe refrigerant
- Unique compressor and reversing valve mounting reduces vibration
- Electrical box is installed within unit footprint on 18K and 27K models; remotely mounted for 30K models
- High-efficiency rotary and scroll compressors are quiet and more reliable
- Condenser coil's cupronickel-encased copper condenser coil provides maximum heat transfer and high resistance to corrosion
- Evaporator coil employs an enhanced fin design and rifled copper tubing to provide maximum capacity
- 27K and 30K models available in 3-phase power on a special order basis

Specifications for Stowaway Compact Series Boat Air Conditioning

Model ⁽¹⁾	SQUF18			SQUF27		SQUF30	
Capacity (BTU/h) ⁽²⁾	18000			27000		30000	
Voltage (V)	115	230	220	230	220	230	240
Cycle (Hz) ⁽³⁾ /Phase (Ph)	60/1		50/1	60/1	50/1	60/1	50/1
Full Load Amps (FLA) Cool (A)	11.1	6.4	5.75	8.1	7.6	9.7	9.1
Full Load Amps (FLA) Heat (A)	15.1	8.3	7.05	11.1	11	12.8	
Full Load Amps (FLA) Blower (A)	1.93	1.15		1.64	1.76		
Locked Rotor Amps (LRA) (A)	66	32	26	58.3	60	53	67
Max. Circuit Breaker (A)	45		20	45	40	35	40
Min. Circuit Ampacity (A)	27	13		27	24	20	26
Refrigerant Type	410A			410A		410A	
Height-Coil (in/mm)	14/356			18/458		N/A	
Height-Compressor (in/mm)	15.5/394			19.25/489		15/381	16.5/420
Width (in/mm)	21/305			24.75/388		25/635	
Depth (in/mm)	12/534			15.25/629	15.75/629	15.5/674	
Min. Supply Duct Size (in/mm)	7/178			8/204		5/127	
Quantity-Duct Connections	1			1		2	
Min. Supply Air Grille Size (sq in/sq cm)	100/646			140/904		150/968	
Min. Return Air Grille Size (sq in/sq cm)	200/1291			240/1549		250/1613	
Seawater Inlet Connection (in/mm)	5/8/16			5/8/16		5/8/16	

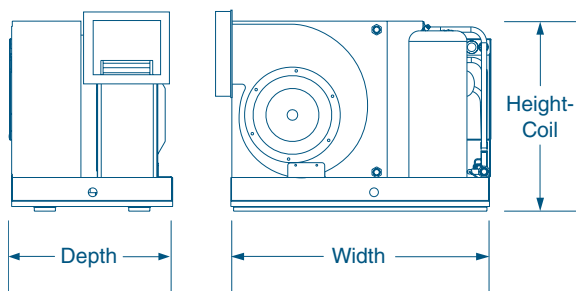
¹ "SQUF" models indicate Q-Logic control. For SMXII control use "SXUF". For electro-mechanical controls use "SHUF".

² BTU and electrical data are based on a 45°F/7.2°C evaporator and 100°F/37.8°C condenser in cool mode, and a 45°F/7.2°C evaporator and 130°F/54.4°C condenser in heat mode.

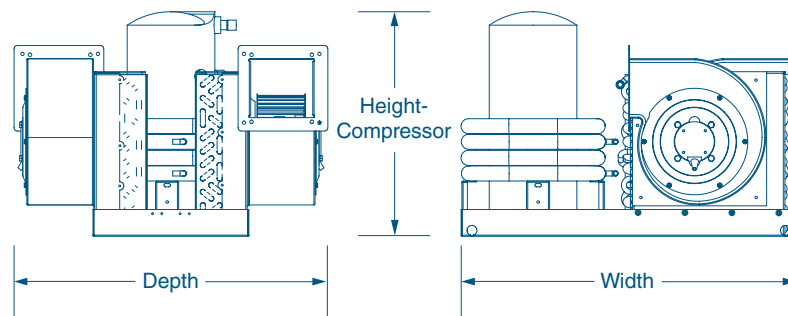
³ 60Hz units must not operate at 50Hz and 50Hz units must not operate at 60Hz unless data plate states otherwise.

Dimensions

Single-Blower 18,000 & 27,000 BTU/h Models



Dual-Blower 30,000 BTU/h Model



DOMETIC MARINE DIVISION

2000 N. Andrews Ave. Ext. | Pompano Beach, FL 33069 USA | Tel. 954-973-2477 | Fax: 954-979-4414
 www.Dometic.com/Marine | MarineSales@DometicUSA.com

24/7 TECH SUPPORT FOR UNITED STATES & CANADA:

8:00 AM to 5:00 PM Eastern Time: 800-542-2477
 After hours and weekends: 888-440-4494

INTERNATIONAL SALES & SERVICES

Europe & the Middle East: Call +44(0)870-330-6101
 For all other areas visit our website to find your nearest distributor.

Dealer

